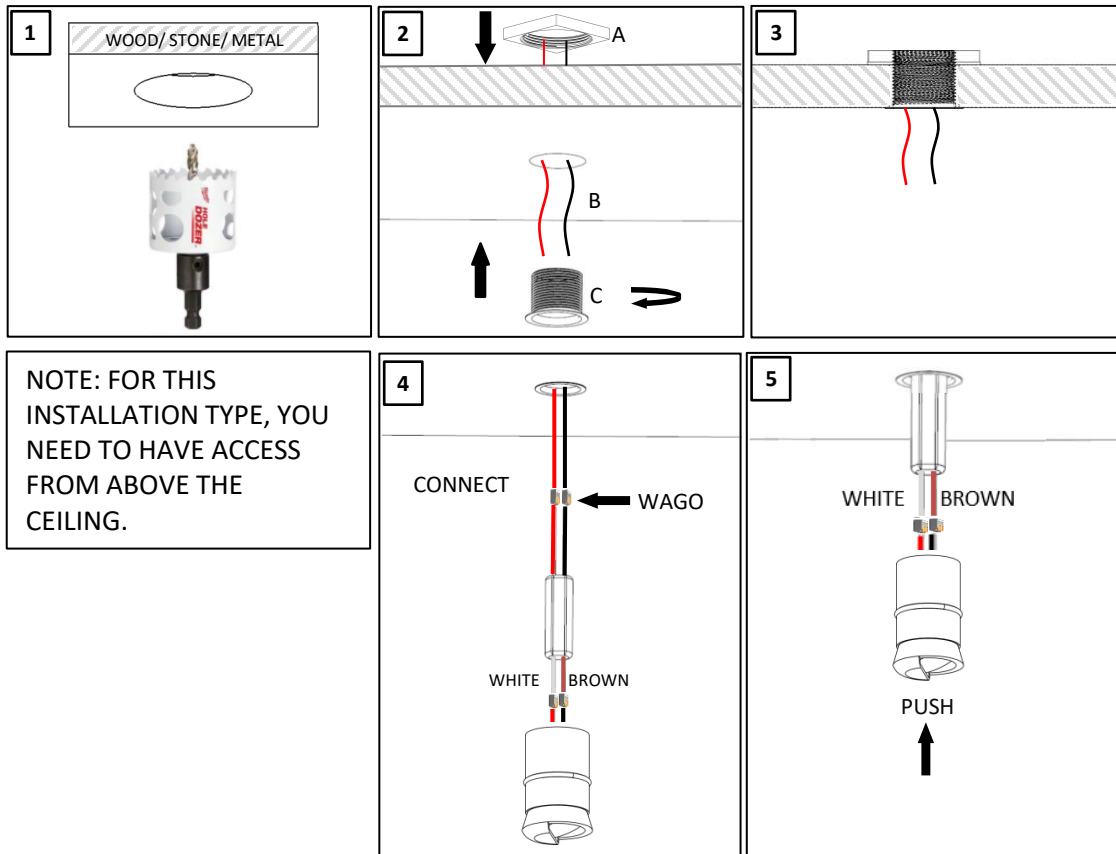


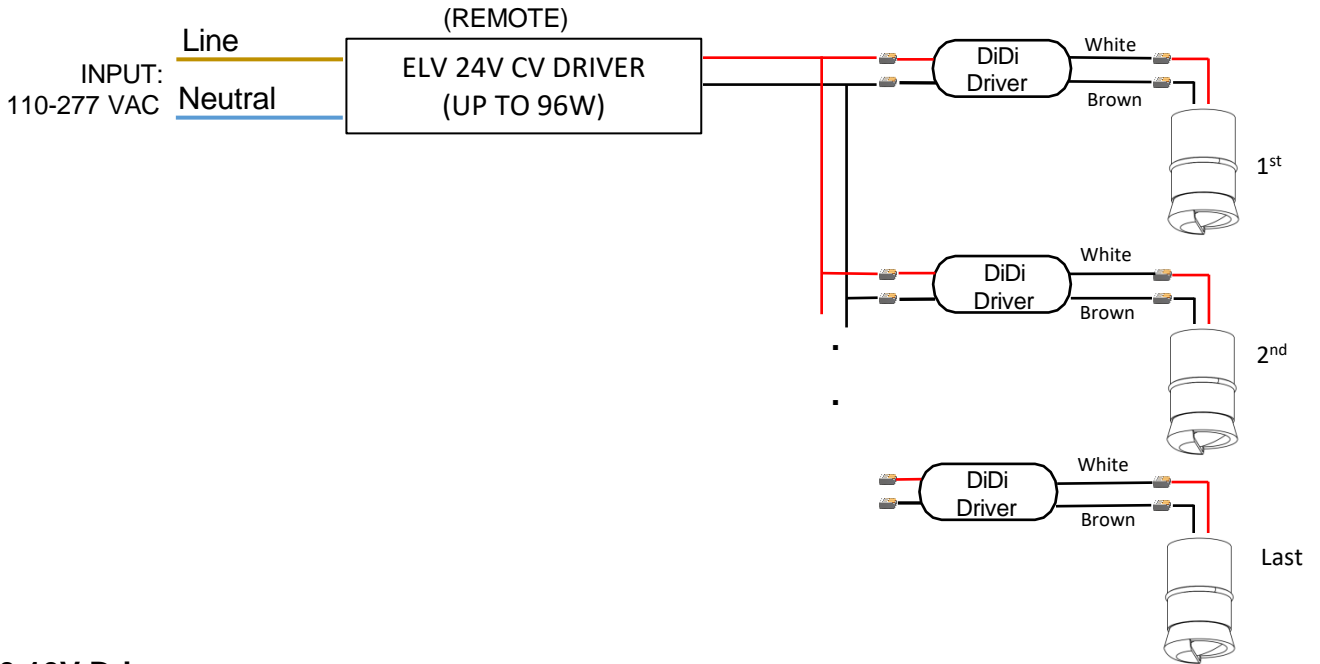


WARNING - RISK OF FIRE AND ELECTRICAL SHOCK. FIXTURE MUST BE INSTALLED BY A QUALIFIED ELECTRICIAN ONLY. FIXTURE IS INTENDED FOR INSTALLATION IN ACCORDANCE WITH THE NATIONAL ELECTRICAL CODE, LOCAL AND FEDERAL SPECIFICATIONS. DISCONNECT POWER AT ELECTRICAL PANEL BEFORE SERVICING. CONNECTION OF LUMINAIRE TO POWERED DRIVER WILL RESULT IN PERMANENT DAMAGE TO THE LED AND VOIDED PRODUCT WARRANTY.
RETAIN THESE INSTRUCTIONS FOR MAINTENANCE REFERENCE.

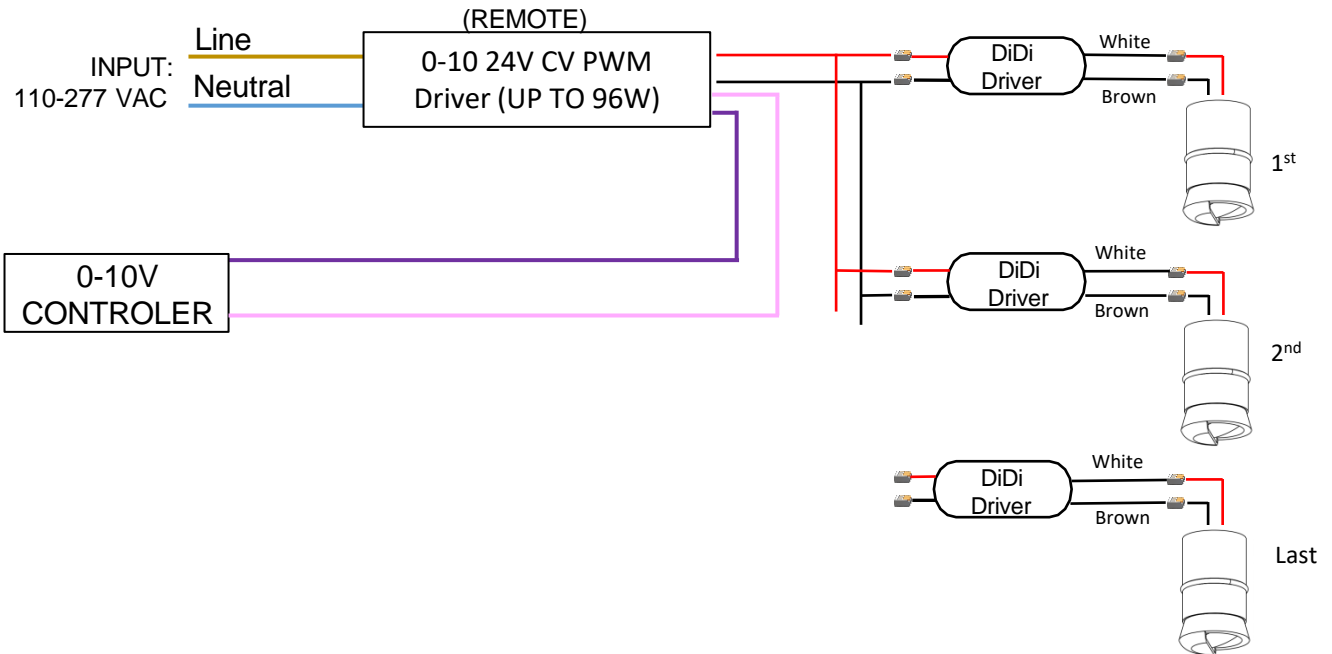


- 1. CUT A HOLE IN THE CEILING:** USE THE PROVIDED GUIDE TO CUT A HOLE IN THE CEILING USING THE CUT-OUT OF 1.25" (31.75 mm) DIAMETER. **FIGURE 1.**
- 2. PULL WIRES AND INSERT FLANGE:** PULL THE WIRES FROM THE REMOTE DRIVER THROUGH THE FLANGE NUT (A), THEN THROUGH THE HOLE YOU JUST CUT (B). FIX THE FLANGE NUT WITH GLUE. NOW, INSERT THE SUPPORT RING (C) INTO THE HOLE FROM THE BOTTOM OF THE CEILING AND TIGHTEN IT WITH THE FLANGE NUT. **FIGURE 2.**
- 3. ALIGN FLANGE AND HEX NUT:** MAKE SURE THE SUPPORT RING AND THE FLANGE NUT ARE IN LINE. THE LOW VOLTAGE LINES MUST BE OUTSIDE THE CEILING. **FIGURE 3.**
- 4. CONNECT THE LOW VOLTAGE POWER SUPPLY:** USE WIRE CONNECTORS TO CONNECT THE MINI RXW TO THE LOW VOLTAGE POWER. **FIGURE 4.**
- 5. INSTALL THE FIXTURE:** MAKE SURE BOTH THE TRIM AND THE CORE OF THE MINI ARE CLEAN. GENTLY PUSH THE MINI RXW INTO THE FLANGE UNTIL IT'S EVEN WITH THE CEILING. MAKE SURE ALL THE WIRES AND THE DRIVER ARE HIDDEN IN THE CEILING. **FIGURE 5**

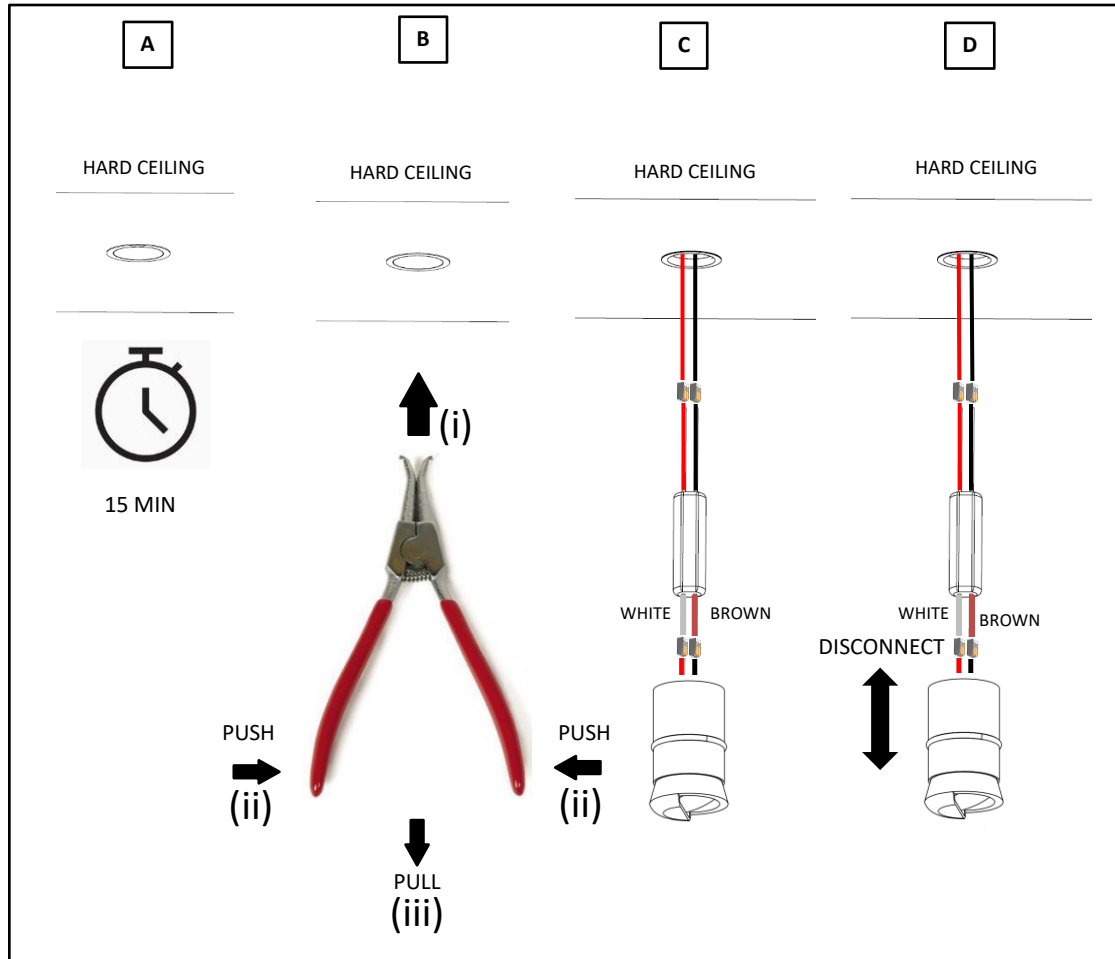
ELV, Non-Dim, Bluetooth Driver



0-10V Driver



*The manufacturer reserves the right to change or modify the design, dimensions and specifications at anytime without notice. The manufacturer accepts no liability for consequential damage which is occasioned to the user base on the data provided.



1. TURN OFF POWER BEFORE MAINTENANCE: ALWAYS SWITCH OFF THE POWER SUPPLY BEFORE DOING ANYTHING WITH THE LIGHT. IF THE LIGHT WAS ON, WAIT FOR 15 MINUTES TO LET IT COOL DOWN. **FIGURE A.**

2. USE REVERSE PLIERS TO REMOVE THE FIXTURE: USE THE REVERSE PLIERS TO HOLD ONTO THE MINI CORE'S AND GENTLY PULL THE CORE OUT SO IT RELEASES FROM THE FLANGE. **FIGURE B.**

3. TAKE OUT THE MINI CORE: REMOVE THE MINI CORE FROM THE TRIM. **FIGURE C.**

4. DISCONNECT CONNECTORS FOR MAINTENANCE: UNPLUG THE CONNECTORS AND PERFORM THE NEEDED MAINTENANCE. **FIGURE D.**

5. RECONNECT WIRES AND PUT FIXTURE BACK: CONNECT THE WIRES AGAIN. CLEAN THE MINI CORE AND TRIM IF NEEDED. PUSH THE FIXTURE BACK INTO THE TRIM, MAKING SURE ALL THE WIRES AND THE DRIVER ARE HIDDEN IN THE CEILING ARE TUCKED UP INSIDE THE CEILING.